



Compressor
Voltage Code : TZ

TAG5561E

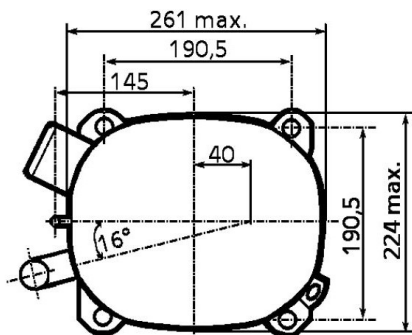
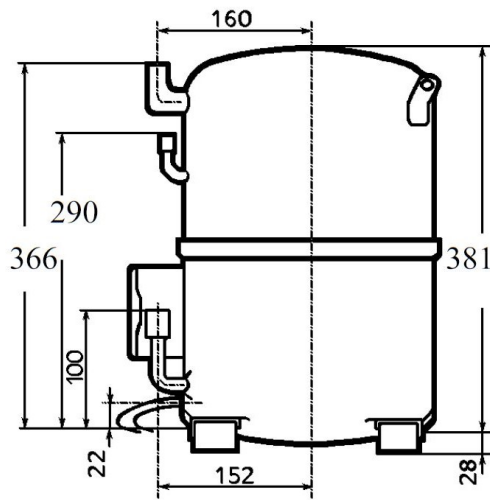
Air Conditioning & Heating (CA)

400V 3~ 50Hz / 440V 3~ 60 Hz

R22

AGB5561ETZ

Conditions	Frequency	Nominal Cooling Capacity		Sound Power ISO3745 / ISO 3743-1
		Watts	BTU/h	
CECOMAF / R22	50 Hz / 60 Hz	12870 / 15164	43888 / 51711	77 dBA



Displacement (cc)	112,5
Net Weight (Kg)	44.5
Oil Quantity (cc)	1760.0
Oil Type	Mineral
Expansion Device	Capillary_Tube/Expansion_Valve
Cooling	Fan
Main Winding (Ohm)	3.18
Current	
RLA (A)	9 9.9
MCC (A)	15 15
LRA (A)	51 53
Electrical Equipment	TRI
Overload	Interne
Refrigerating connection for	
Suction Tube	22.2 (7/8")
Discharge Tube	12.7 (1/2")
Process Tube	6.35 (1/4")

* CECOMAF : T°Cond. 55.0°C / T°Evap. 5.0°C / T°Return gas temp.. 32.0°C
T°Subcooling. 0.0K

Certificates :



Note : Tecumseh reserves the right to change information contained in this document without notification.



Tecumseh

TAG5561E	Tension TZ : 400V 3~ 50Hz / 440V 3~ 60 Hz
-----------------	--

Les performances sont données dans les conditions CECOMAF :	Gaz aspirés :	32.0 °C
Condition Dew	Sous refroidissement :	0.0 K
The performance data are in CECOMAF conditions :	Return gas :	32.0 °C
Dew Condition	Subcooling :	0.0 K

50 Hz R22											
N°337GL-T											
4 T condensation	5 T évaporation	(°C)	-25	-20	-15	-10	-5	0	5	10	15
40	1 P frigorifique	(Watt)					10664	13448	16659	20283	24306
	2 P absorbée	(W)					3863	4148	4431	4710	4986
	3 I absorbée	(A)					7.23	7.65	8.02	8.33	8.59
50	1 P frigorifique	(Watt)						11271	14103	17305	20860
	2 P absorbée	(W)						4481	4872	5254	5625
	3 I absorbée	(A)						8.10	8.66	9.15	9.58
60	1 P frigorifique	(Watt)							11645	14436	17535
	2 P absorbée	(W)							5316	5798	6264
	3 I absorbée	(A)							9.30	9.97	10.6

60 Hz R22											
N°337GL-T											
4 T condensation	5 T évaporation	(°C)	-25	-20	-15	-10	-5	0	5	10	15
40	1 P frigorifique	(Watt)					12641	15895	19629	23829	28479
	2 P absorbée	(W)					4732	5187	5642	6097	6551
	3 I absorbée	(A)					7.73	8.30	8.87	9.43	9.99
50	1 P frigorifique	(Watt)						13321	16617	20330	24442
	2 P absorbée	(W)						5604	6204	6802	7395
	3 I absorbée	(A)						8.79	9.58	10.4	11.1
60	1 P frigorifique	(Watt)							13720	16959	20547
	2 P absorbée	(W)							6769	7508	8239
	3 I absorbée	(A)							10.3	11.3	12.3

1 = cooling capacity 2 = power input 3 = current 4 = condensing temperature 5 = evaporating temperature

Nota : Tecumseh se réserve le droit de modifier les informations contenues dans ce document sans préavis.
Note : Tecumseh reserves the right to change information contained in this document without notification.

© 2025 Tecumseh Products Company
All rights reserved