



Compressor  
Voltage Code : XC

# FH4518Y-XC

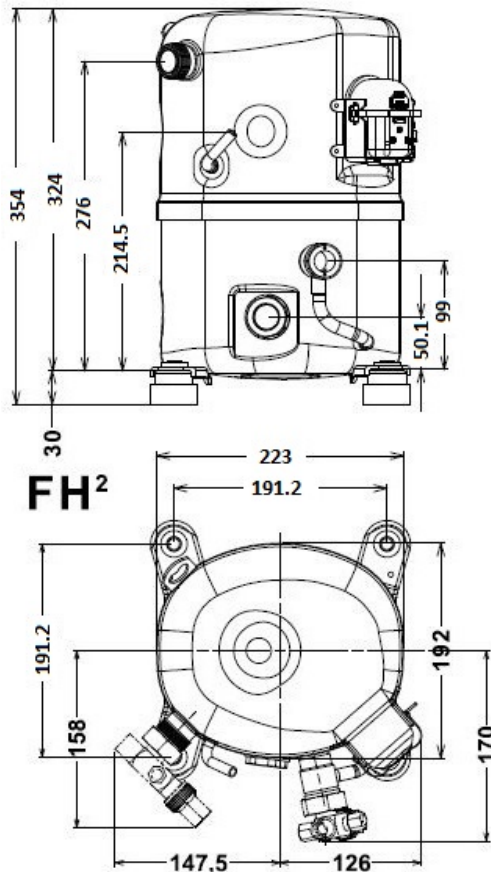
High Temp. Commercial (HP)

220 - 240V 1~ 50 Hz

R134a / R513A

# FH4518Y-XC3A

Conditions	Frequency	Nominal Cooling Capacity		Sound Power ISO3745 / ISO 3743-1
		Watts	BTU/h	
CECOMAF / R134a	50 Hz	3790	12923	70 dBA
CECOMAF / R513A	50 Hz	3859	13159	70 dBA



<b>Displacement (cc)</b>	48,5
<b>Net Weight (Kg)</b>	30.0
<b>Oil Quantity (cc)</b>	1140.0
<b>Oil Type</b>	Polyolester
<b>Expansion Device</b>	Capillary_Tube/Expansion_Valve
<b>Cooling</b>	Fan
<b>Main Winding (Ohm)</b>	1.95
<b>Start Winding (Ohm)</b>	5.51
<b>Current</b>	
RLA (A)	6.75
MCC (A)	10.7
LRA (A)	40
<b>Electrical Equipment</b>	CSR
<b>Overload</b>	Interne
<b>Start Capacitor</b>	88 µF / 330 V
<b>Run Capacitor</b>	35 µF / 400 V
<b>Potential Relay</b>	RVA4G**
Pick Up	180/195V
Drop Out	40/105V
<b>Refrigerating connection for</b>	
Suction Tube	15.9 (5/8")
Discharge Tube	12.7 (1/2")
Process Tube	6.35 (1/4")

\* CECOMAF : T°Cond. 55.0°C / T°Evap. 5.0°C / T°Return gas temp.. 32.0°C  
T°Subcooling. 0.0K

Certificates :



Note : Tecumseh reserves the right to change information contained in this document without notification.



**Tecumseh**

<b>FH4518Y-XC</b>	<b>Tension XC : 220 - 240V 1~ 50 Hz</b>
-------------------	---

Les performances sont données dans les <b>conditions CECOMAF</b> :	Gaz aspirés :	32.0 °C
Condition Dew	Sous refroidissement :	0.0 K
The performance data are in <b>CECOMAF conditions</b> :	Return gas :	32.0 °C
Dew Condition	Subcooling :	0.0 K

<b>50 Hz R134a</b>											
											<b>N°User-353</b>
4   T condensation	5   T évaporation	(°C)	<b>-25</b>	<b>-20</b>	<b>-15</b>	<b>-10</b>	<b>-5</b>	<b>0</b>	<b>5</b>	<b>10</b>	<b>15</b>
<b>30</b>	1   P frigorifique	(Watt)	1097	1577	2165	2878	3733	4748	5941	7329	8928
	2   P absorbée	(W)	604	704	793	875	952	1029	1109	1196	1293
	3   I absorbée	(A)	2.92	3.38	3.82	4.22	4.60	4.94	5.26	5.55	5.81
<b>40</b>	1   P frigorifique	(Watt)		1242	1757	2371	3102	3969	4988	6177	7554
	2   P absorbée	(W)		716	839	949	1051	1149	1246	1345	1450
	3   I absorbée	(A)		3.31	3.88	4.41	4.92	5.40	5.85	6.27	6.66
<b>50</b>	1   P frigorifique	(Watt)			1396	1931	2559	3296	4161	5172	6347
	2   P absorbée	(W)			851	1002	1140	1269	1393	1515	1640
	3   I absorbée	(A)			3.91	4.58	5.22	5.83	6.41	6.96	7.49
<b>60</b>	1   P frigorifique	(Watt)				1540	2084	2712	3443	4295	5287
	2   P absorbée	(W)				1020	1204	1376	1538	1695	1850
	3   I absorbée	(A)				4.73	5.50	6.24	6.95	7.64	8.29

<b>50 Hz R513A</b>											
											<b>N°User-354</b>
4   T condensation	5   T évaporation	(°C)	<b>-25</b>	<b>-20</b>	<b>-15</b>	<b>-10</b>	<b>-5</b>	<b>0</b>	<b>5</b>	<b>10</b>	<b>15</b>
<b>30</b>	1   P frigorifique	(Watt)	1271	1796	2417	3149	4003	4994	6135	7439	8918
	2   P absorbée	(W)	671	772	859	937	1014	1097	1194	1311	1456
	3   I absorbée	(A)	3.24	3.71	4.13	4.52	4.90	5.27	5.66	6.08	6.55
<b>40</b>	1   P frigorifique	(Watt)		1385	1930	2567	3309	4170	5164	6303	7601
	2   P absorbée	(W)		778	903	1012	1112	1211	1317	1435	1574
	3   I absorbée	(A)		3.60	4.17	4.70	5.20	5.69	6.18	6.69	7.23
<b>50</b>	1   P frigorifique	(Watt)			1503	2051	2686	3422	4273	5252	6373
	2   P absorbée	(W)			907	1062	1200	1331	1459	1594	1741
	3   I absorbée	(A)			4.17	4.85	5.50	6.12	6.72	7.33	7.95
<b>60</b>	1   P frigorifique	(Watt)				1607	2139	2755	3468	4292	5242
	2   P absorbée	(W)				1070	1263	1439	1606	1772	1943
	3   I absorbée	(A)				4.96	5.77	6.53	7.26	7.98	8.71

1 = cooling capacity 2 = power input 3 = current 4 = condensing temperature 5 = evaporating temperature

**Nota : Tecumseh se réserve le droit de modifier les informations contenues dans ce document sans préavis.**

**Note : Tecumseh reserves the right to change information contained in this document without notification.**

© 2025 Tecumseh Products Company  
All rights reserved